



Large Cabinet Racks  
**UL/NEMA 12 Cabinet Rack**



### **Design Features**

- \* Tested and listed under UL508 Type 12 for use in both the USA and Canada
- \* Adheres to NEMA 1, 2, and 12 and IEC529 IP55 requirements
- \* Oil Resistant gaskets
- \* Comes complete with frame, locking front and rear doors, externally removable side panels, and four adjustable 19"/23" panel width mounting rails.
- \* Sturdy all-welded heavy steel frame
- \* Gasketed 9.5" cable access ports in the top and bottom
- \* Doors equipped with 4-point latches for positive sealing

### **Bonus Features**

- \* Accepts most standard Bud accessories
- \* Optional see-through doors
- \* Optional full height internal panels
- \* Optional base posts
- \* Optional base panels allow cover for base posts
- \* Optional Add-A-Rack kit allows joining multiple cabinets together while maintaining sealing integrity
- \* Can be converted to 24" panel width with optional panel mounting rails

### **Finishes**

Grey Texture (GT). Available in other Bud textured finishes at no additional cost.

<b>UL/NEMA 12 Cabinet Rack</b>								
Catalog Number	Drawings	Panel Space		Max. Clear Inside Depth	Overall Dimensions			Weight Lbs.
		Height	Width		Height	Width	Depth	
NR-10025		70.00"	19" or 23"	29.25"	75.31"	27.00"	30.75"	321
NR-10026		78.75"	19" or 23"	29.25"	84.06"	27.00"	30.75"	345

<b>Optional Accessories</b>			
Catalog Number	Drawings	Description	Use with Cabinet
NRB-10081	N/A*	Base Post kit, 2.63"	NR-10025/NR-10026
NRB-10084	N/A*	Base Post kit, 2.63"	NR-10025/NR-10026
NRD-10055	N/A*	Plexiglas Door 70.00"	NR-10025
NRD-10056	N/A*	Plexiglas Door 78.75"	NR-10026
NRP-10065	N/A*	Internal Rear Panel, 70.12"	NR-10025
NRP-10066	N/A*	Internal Rear Panel, 70.12"	NR-10026

NRX-10080	N/A*	Add-A-Rack Kit	NR-10025/NR-10026
RC-7764-PR	N/A*	Caster, 550#	NR-10025/NR-10026 NRB-10081

\* Contact Bud for drawings.



PART NAME

NEMA 12 CABINET RACK

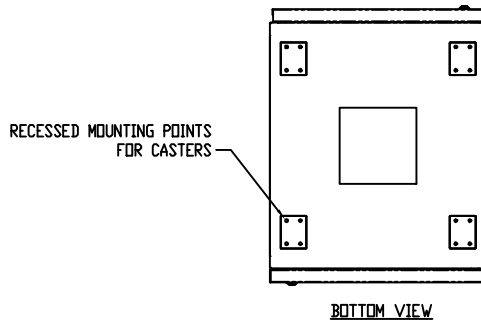
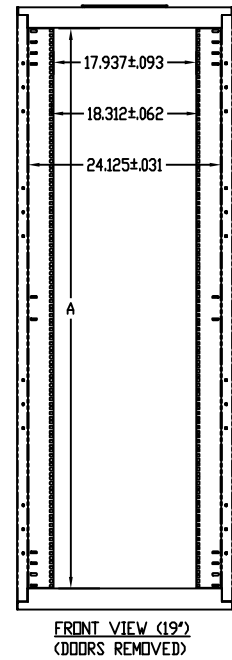
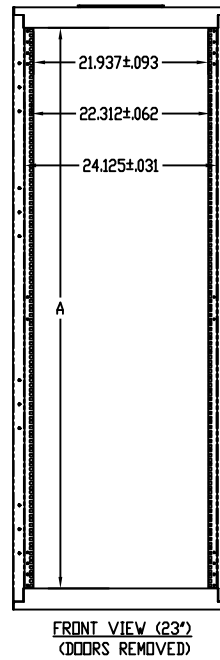
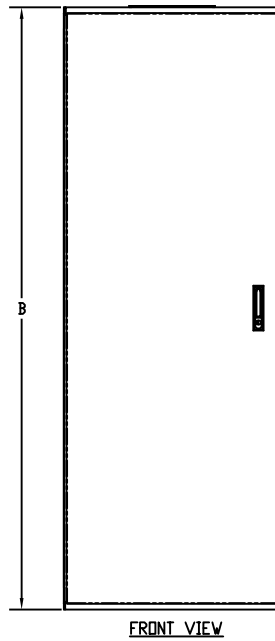
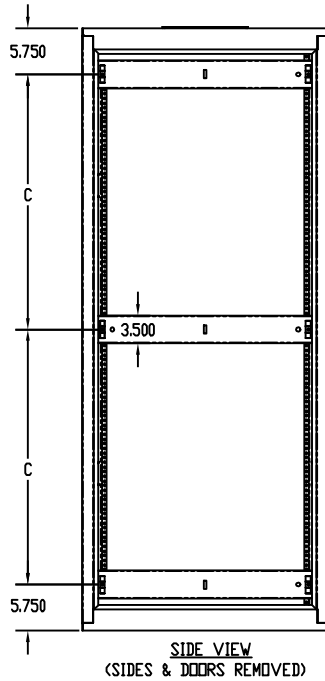
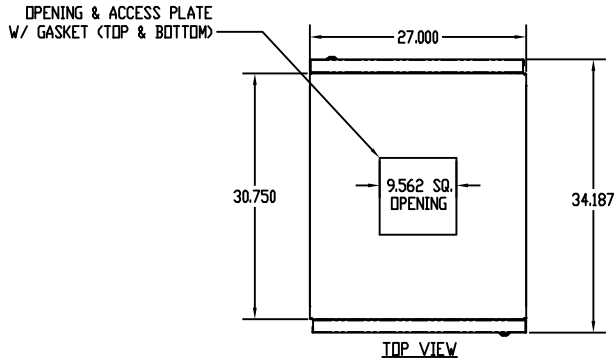
PART No.

NR10025 & NR10026

REV. DATE

NOTES:

- 1 TWO PAIRS OF PANEL MOUNTING RAILS CONFORM TO EITHER 19" OR 23" PANEL WIDTH AND ARE FULLY ADJUSTABLE. THEY CAN BE EASILY CONVERTED TO 24" WIDTH WITH STANDARD RAILS.  
PANEL MOUNTING RAILS HAVE SQUARE EQUIPMENT MOUNTING HOLES PER E.I.A. UNIVERSAL SPACING
- 2 MOUNTING HOLES PIERCED IN BASE FOR RC-7744 CASTERS.
- 3 LOAD RATING: 1500 LBS. (MAX)



**MATERIAL:**  
 DOORS, SIDES, RAIL SUPPORT, ACCESS PLATES.....16 GA. STEEL  
 TOP, BOTTOM, VERTICAL RAILS, DOOR RODS.....14 GA. STEEL  
 PANEL MTG. RAILS.....12 GA. STEEL

**FINISH:**  
 FRAME ASSY, SIDES, DOORS, & COVER PLATES.....#3342-P GRAY TEXTURED "GT"  
 PANEL MOUNTING RAILS.....#1895-P SMOOTH BLACK "EBL"

OPTIONAL ACCESSORIES

PART NO.	PANEL SPACE A	B	C	PLEXIGLAS DOOR PART NO.	BASE POST KIT PART NO.	BACK PANEL PART NO.	BASE PANEL KIT PART NO.
NR-10025	70.000	75.312	31.906	NRD-10055	NRB-10081	NRP-10065	NRB-10084
NR-10026	78.750	84.062	36.281	NRD-10056	NRB-10081	NRP-10066	NRB-10084